



ColorEdge CG247X

All the features you need for professional video creation. This 24.1-inch monitor is ideal for post production editing and video creation with precise colour management and a range of features included to meet the needs of the media and entertainment industry.

Size: 24.1" (61 cm)

Resolution: 1920 x 1200 (16:10 aspect ratio)

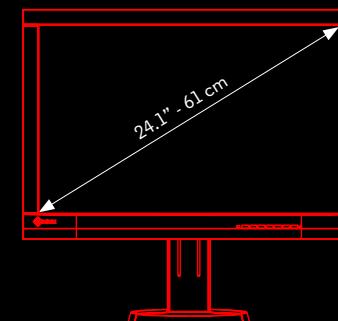
Pixel Density: 94 ppi

Colour: DisplayPort, HDMI: 1.07 billion from a palette of 278 trillion
DVI: 16.77 million from a palette of 278 trillion

Calibration: Built-in Sensor

Warranty: Five Year On-site

CG247X

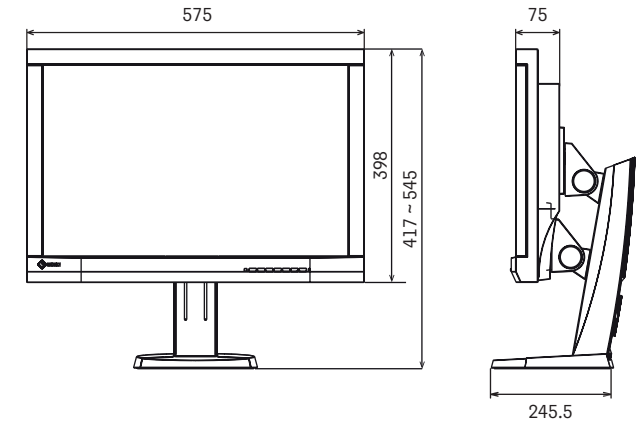


5 | Year Warranty
★★★★★
2 | Year Warranty
★★★☆☆



ColorEdge CG247X

Dimensions (Unit: mm)



Panel

Type: IPS
Backlight: Wide-Gamut LED
Size: 24.1" / 61.1cm
Native Resolution:
 1920 x 1200 (16:10 aspect ratio)
Viewable Image Size (H x V): 518.4 x 324.0 mm
Pixel Pitch: 0.270 x 0.270 mm
Pixel Density: 94 ppi

Greyscale Tones: DisplayPort, HDMI: 1,024 tones (a palette of 65 thousand tones) DVI: 256 tones (a palette of 65 thousand tones)

Display Colours: DisplayPort, HDMI: 1.07 billion from a palette of 278 trillion, DVI: 16.77 million from a palette of 278 trillion

Viewing Angles (H / V, Typical): 178°, 178°

Brightness (Typical): 400 cd/m²

Recommended Brightness for Calibration: 120 cd/m² or less

Contrast Ratio (Typical): 1500:1

Response Time (Typical):

10ms (grey-to-grey)

Wide Gamut Coverage (Typical):

Adobe RGB: 99%, DCI-P3: 98%

Video Signals

Input Terminals: DVI-D 24 pin (with HDCP), DisplayPort (with HDCP), HDMI (with HDCP, Deep Color)

Digital Scanning Frequency (H / V): DisplayPort, DVI: 26 - 78 kHz, 23 - 63 Hz (VGA Text: 69 - 71 Hz) HDMI: 15 - 78 kHz, 24 - 61 Hz (VGA Text: 69 - 71 Hz)

USB

Function: 2 ports for monitor control
 2-port USB hub

Standard: USB 2.0

Power

Power Requirements: AC 100 - 240 V, 50 / 60 Hz

Maximum Power Consumption: 60 W

Typical Power Consumption: 22 W

Power Save Mode: Less than 0.7 W

Standby Mode: Less than 0.5 W

Power Management:

Power Save (DisplayPort Version 1.1a, and DVI DMPM)

Features & Functions

Brightness Stabilisation: Yes

Digital Uniformity Equaliser: Yes

Preset Modes: Color Mode (Custom, Adobe RGB, sRGB, REC709, EBU, SMPTE-C, DCI, Calibration)

Built-In Calibration Sensor: Yes

Physical Specification

Dimensions (Landscape, W x H x D): 575 x 417 - 545 x 245.5 mm

Dimensions (Portrait, W x H x D): 398 x 594.5 - 642.5 x 245.5 mm

Dimensions (Without Stand, W x H x D): 575 x 398 x 75 mm

Dimensions (Landscape w/ Hood, W x H x D): 596 x 427.8 - 555.8 x 356.7 - 380 mm

Net Weight: 8.9 kg / 19.6 lbs

Net Weight (Without Stand): 6.2 kg / 13.7 lbs

Net Weight (With Hood): 9.7 kg / 21.4 lbs

Height Adjustment Range: 128 mm

Tilt: 30° Up, 0° Down

Swivel: 344°

Pivot: 90°

Hole Spacing (VESA Standard): 100 x 100 mm

Environmental Requirements

Temperature: 0 - 35 °C

Humidity (R.H., non condensing): 20 - 80 %

Certifications & Standards

(Please contact EIZO for the latest information)
 CB, CE, TUV/GS, cTUVus, FCC-B, CAN ICES-3 (B), VCCI-B, TUV/Ergonomics, TUV/Colour Accuracy (Quick Stability), RCM, RoHS, WEEE, EAC

Warranty

Five years ^{1,2,3}

¹ With current LCD technology, a panel may contain a limited number of missing or flickering pixels.

² If the monitor is left on continuously over a long period of time, dark smudges or burn-in may appear. To maximize the life of the monitor, we recommend the monitor be turned off periodically.

³ Free from bright sub-pixels for 6 months for the date of purchase. With current LCD technology, a panel may contain a limited number of missing or flickering pixels.

EIZO Limited

Stylus House London Road,
 Bracknell, Berkshire
 RG12 2UT, UK

Website:

www.EIZOcolour.com

Telephone:

+44 (0) 1344-317-480